

DOME TWEETER LOUDSPEAKER GDWK 8/10/1

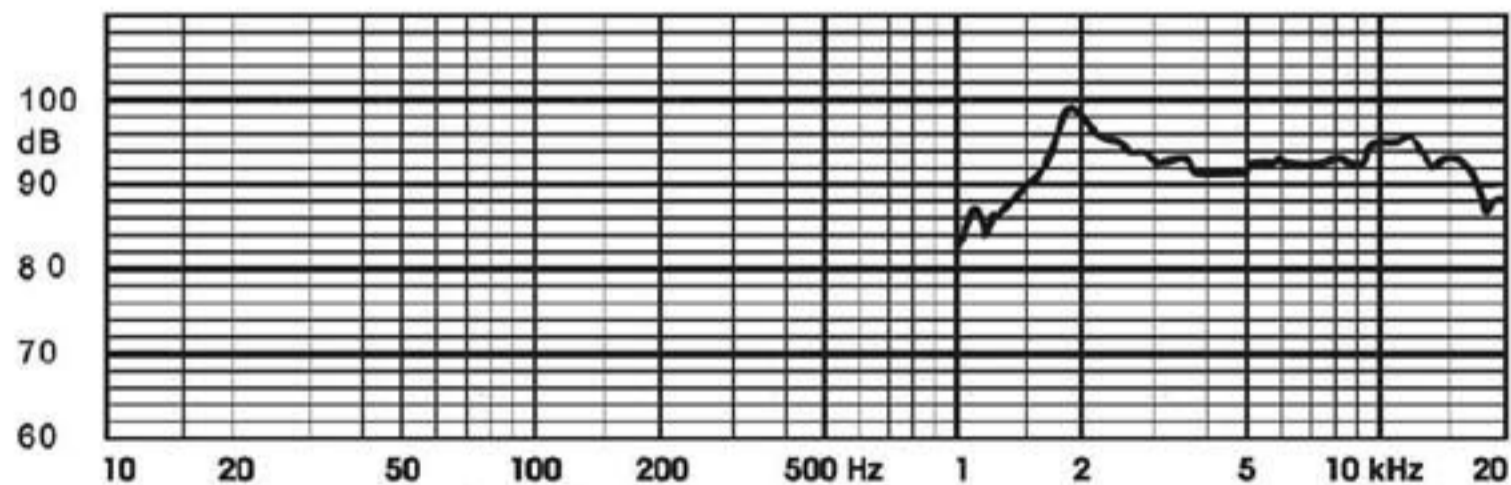
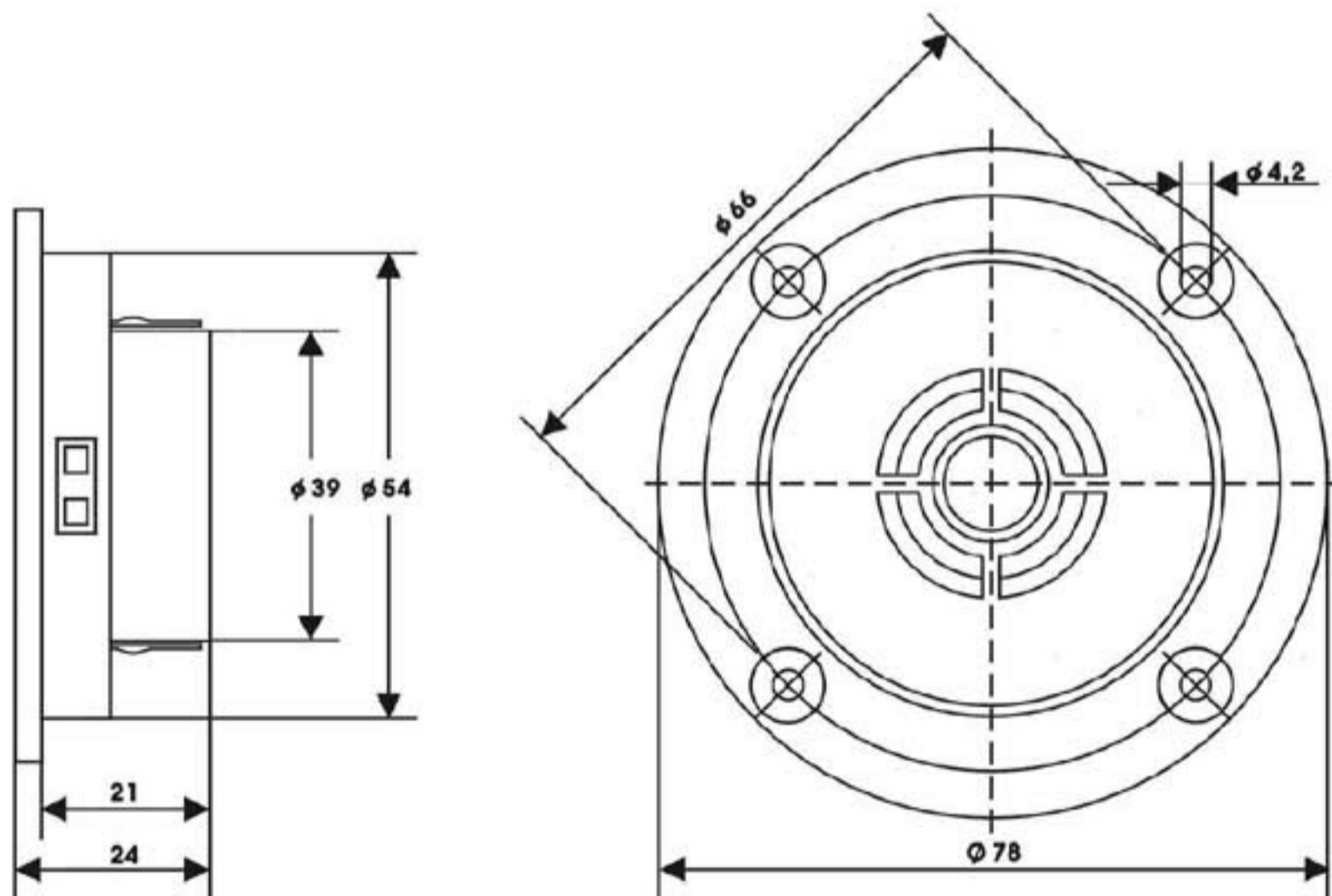
9 5155 059

TECHNICAL DATA

Rated impedance	4	8	Ω
Voice coil resistance	3,6	6,7	Ω
Rated frequency range	4 to 20		kHz
Resonance frequency	-		kHz
Recommended crossover frequency	5	7,5	kHz
Power handling capacity, P1/P2 measured with filter		10/0,2	W
Max. power		25/0,5	W
Sensitivity	91	93	dB
Flux density		0,8	T
Energy in air gap		16	mJ
Air - gap		13/2,5/0,6	mm
Voice coil height	2	1,8	mm
Magnet			
- material		ferrite	
- dimensions		36/16/7	mm
- mass		0,03	kg
Mass of loudspeaker		0,1	kg

AVAILABLE VERSIONS

- GDWK 8/10/1 - 4 Ω , catalogue number 9 5155 059 15
- GDWK 8/10/1 - 8 Ω , catalogue number 9 5155 059 03



FREQUENCY RESPONSE CURVE

Measured in anechoic room at 1W/1m. Loudspeaker mounted on IEC baffle.