

# WOOFER GDN 15/40/3

9 5151 291

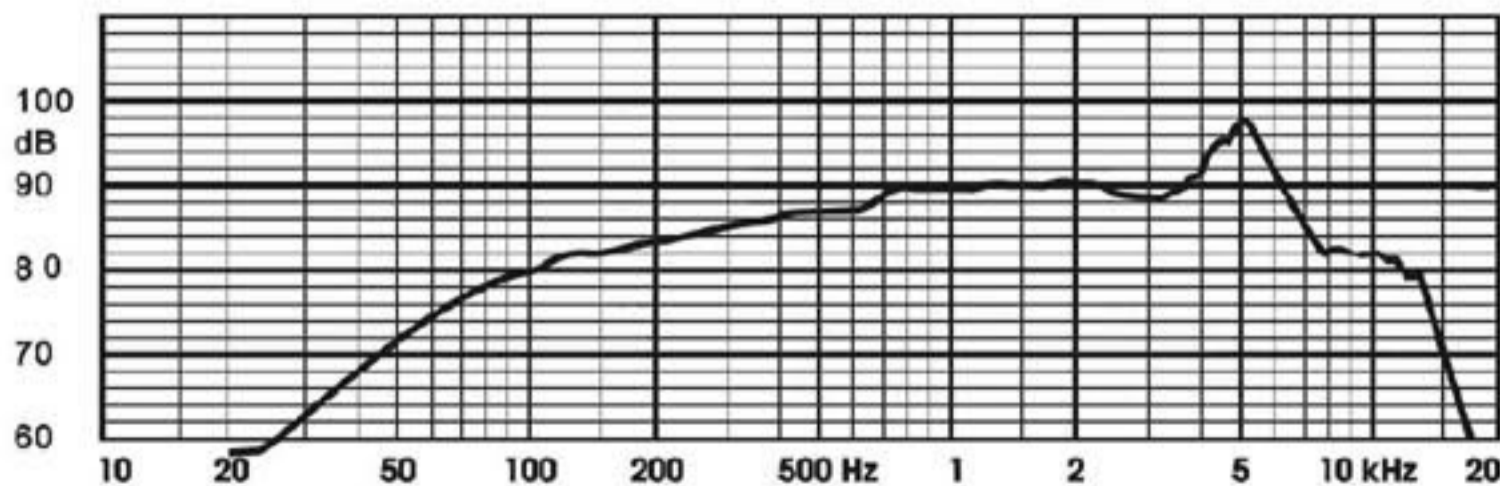
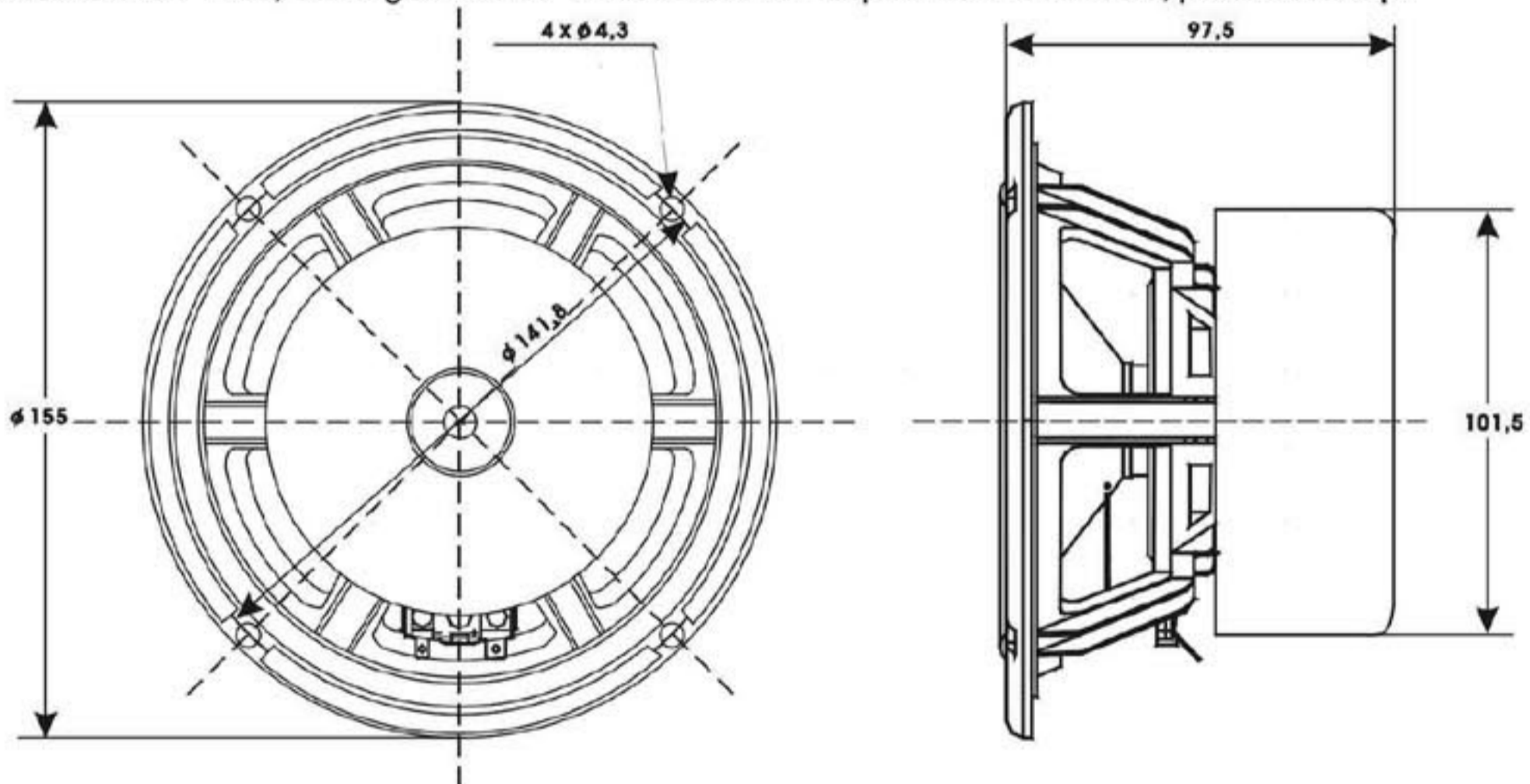
## TECHNICAL DATA

Rated impedance	8	$\Omega$
Voice coil resistance	6,5	$\Omega$
Rated frequency range	90 to 5000	Hz
Resonance frequency	48	Hz
Power handling capacity / enclosure 9 dm <sup>3</sup> , 100 h continuous /	40	W
Max. power	80	W
Sensitivity	89	dB
Flux density	1,2	T
Energy in air gap	275	mJ
Force factor - BI	8,3	Tm
Piston area - S <sub>D</sub>	1,15 x 10 <sup>-2</sup>	m <sup>2</sup>
Total moving mass - M <sub>MS</sub>	0,0112	kg
Compliance /loudspeaker unmounted/ - C <sub>MS</sub>	95 x 10 <sup>-5</sup>	m/N
Equivalent box volume - V <sub>AS</sub>	0,018 x 10	m <sup>3</sup>
Quality factor /loudspeaker unmounted/ - mechanical - Q <sub>MS</sub>	3,13	
- electrical - Q <sub>ES</sub>	0,33	
- total - Q <sub>TS</sub>	0,3	
Air - gap	25/5,2/1,125	mm
Voice coil height	12	mm
Magnet		
- material	ferrite	
- dimensions	2 x (83/31/15)	mm
- mass	2 x 0,35	kg
Mass of loudspeaker	1,47	kg

The loudspeaker has a white glass fibre cone, a rubber surround, and a screened magnet system.

### AVAILABLE VERSIONS

- GDN 15/40/3 - 8 $\Omega$ , catalogue number 9 5151 291 01 - kapton voice coil former, plastic dust cap.



**FREQUENCY RESPONSE CURVE**  
Measured in anechoic room at 1m/1,41V. Loudspeaker mounted in sealed 9 dm<sup>3</sup> enclosure.

# TONSIL

ul. Czerniejewska 11, 62-300 Września  
phone/fax: (061) 436 05 70, [www.tonsilproducent.pl](http://www.tonsilproducent.pl)

1