

# CONE MIDRANGE LOUDSPEAKER GDM 16/80/1

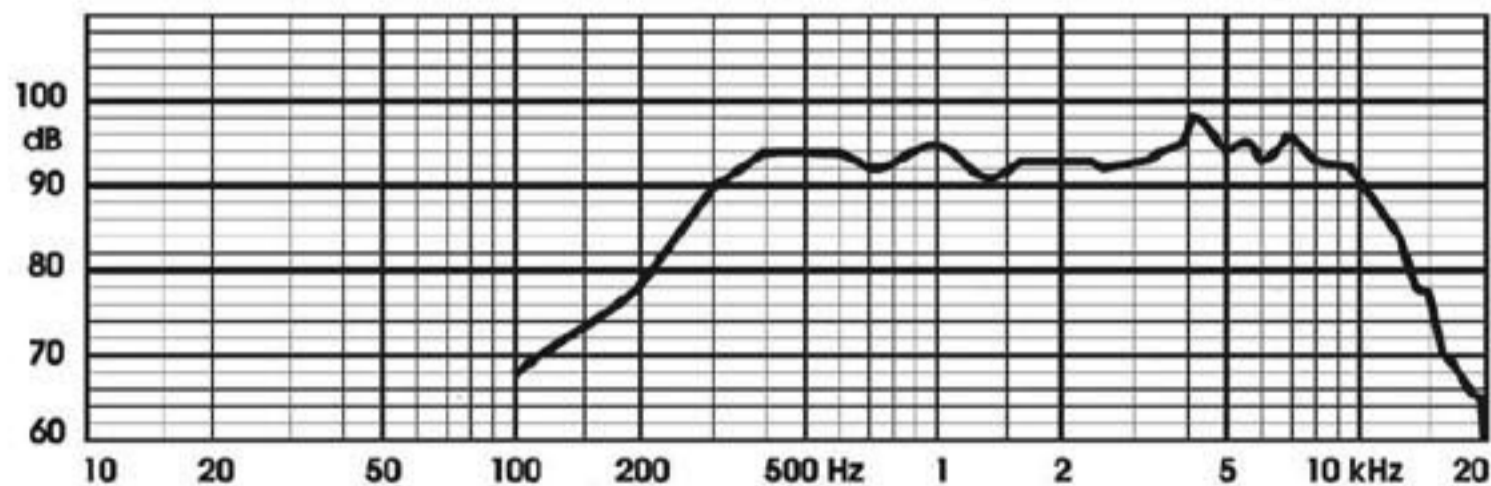
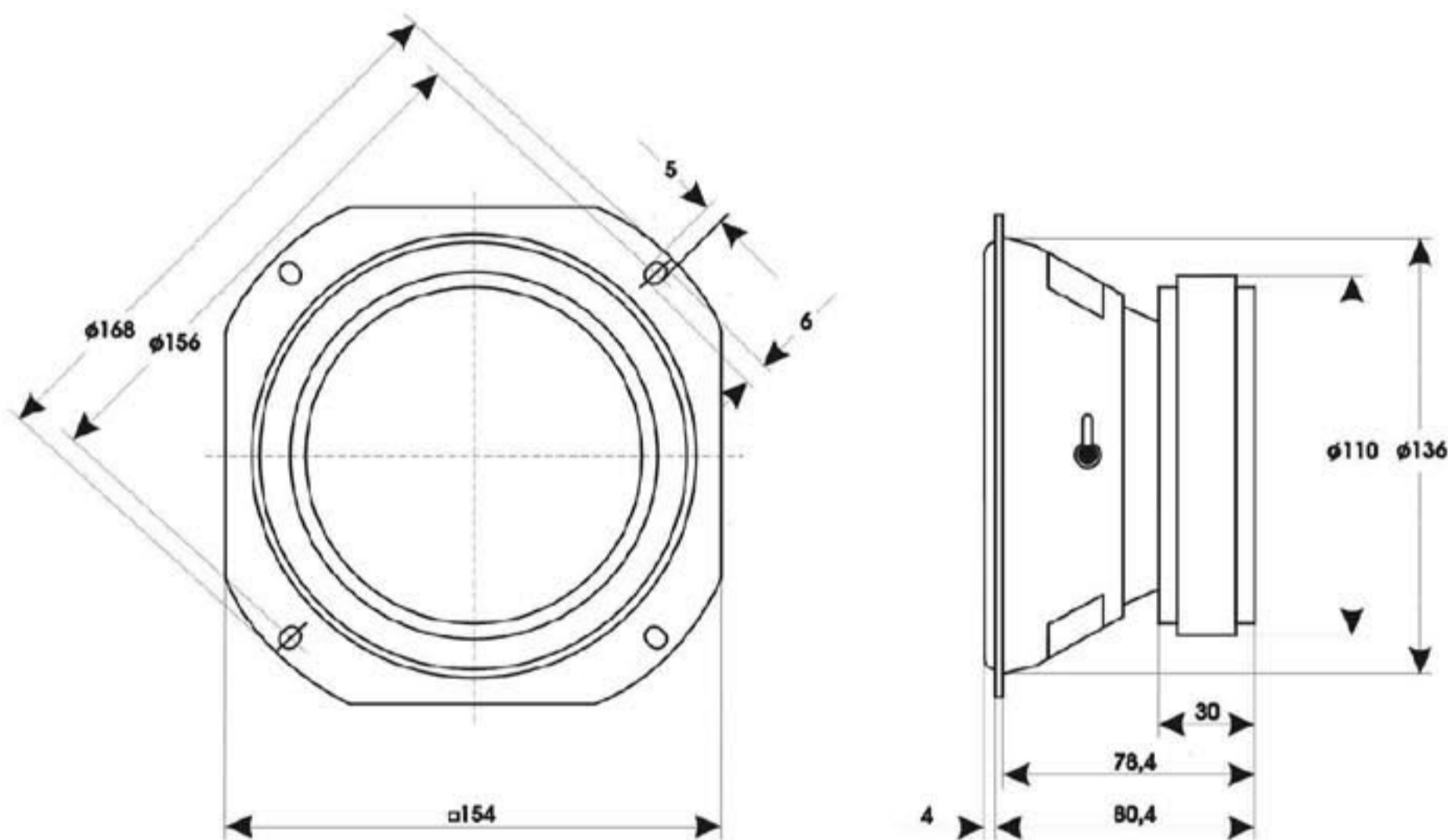
9 5153 017

## TECHNICAL DATA

Rated impedance	8 $\Omega$
Voice coil resistance	7 $\Omega$
Rated frequency range	0,7 to 9 kHz
Resonance frequency	0,4 kHz
Recommended crossover frequency	1 kHz
Power handling capacity, P1/P2 measured with filter	80/30 W
Max. power	120/45 W
Sensitivity	94 dB
Flux density	1,06 T
Energy in air gap	337,9 mJ
Air - gap	35/6/1,2 mm
Voice coil height	7,5 mm
Magnet	
- material	ferrite
- dimensions	110/60/18 mm
- mass	0,6 kg
Mass of loudspeaker	1,8 kg

## AVAILABLE VERSIONS

- GDM 16/80/1 - 8 $\Omega$ , catalogue number 9 5153 017 01



**FREQUENCY RESPONSE CURVE**  
Measured in anechoic room at 1W/1m. Loudspeaker mounted  
in sealed 6,7dm<sup>3</sup> enclosure.

# TONSIL

ul. Czerniejewska 11, 62-300 Września  
phone/fax: (061) 436 05 70, [www.tonsilproducent.pl](http://www.tonsilproducent.pl)

1