

CONE MIDRANGE LOUDSPEAKER GDM 10/60/2

9 5153 001

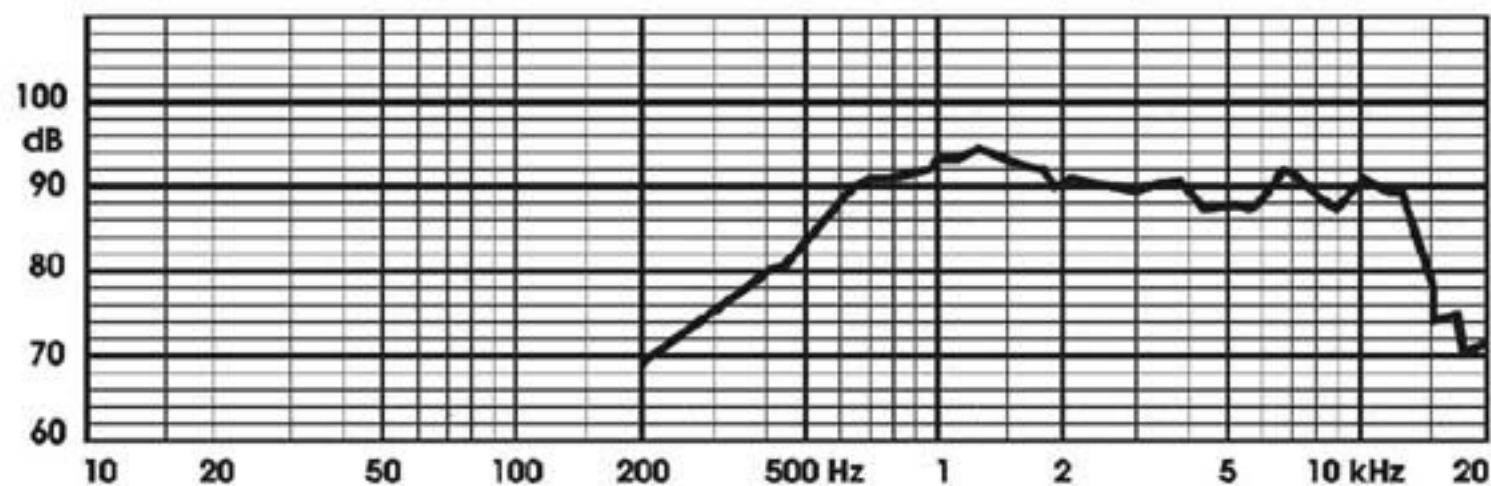
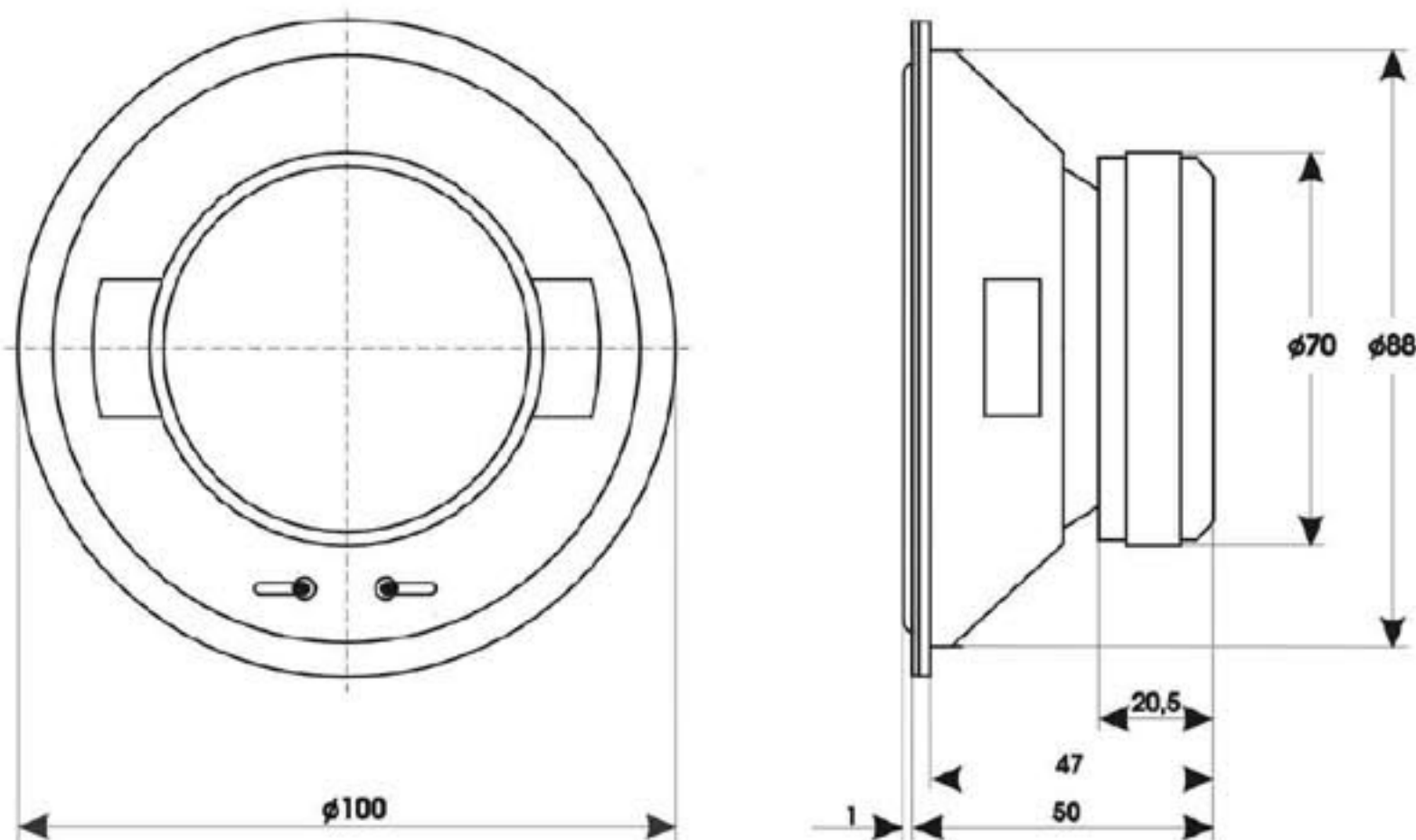
TECHNICAL DATA

Rated impedance	4	8	Ω
Voice coil resistance	3,3	7	Ω
Rated frequency range	1 to 9		kHz
Resonance frequency	580		Hz
Recommended crossover frequency	1		kHz
Power handling capacity, P1/P2 measured with filter	60/18		W
Max. power	90/25		W
Sensitivity	91		dB
Flux density	0,88		T
Energy in air gap	86,3		mJ
Air - gap	20/4,6/0,95		mm
Voice coil height	5,6	6,4	mm
Magnet			
- material	ferrite		
- dimensions	70/32/10		mm
- mass	0,15		kg
Mass of loudspeaker	0,5		kg

Connection is by 2,8 mm x 0,5 mm tag connectors or by soldering.

AVAILABLE VERSIONS

- GDM 10/60/2 - 8 Ω , catalogue number 9 5153 001 01
- GDM 10/60/2 - 4 Ω , catalogue number 9 5153 001 05



FREQUENCY RESPONSE CURVE

Measured in anechoic room at 1W/1m. Loudspeaker mounted in sealed 3 dm³ enclosure.